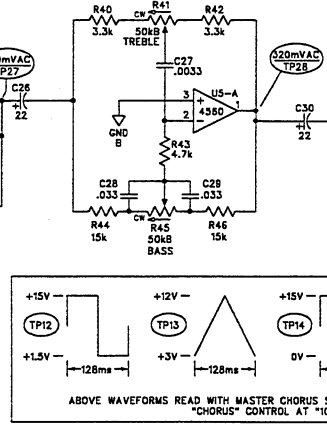
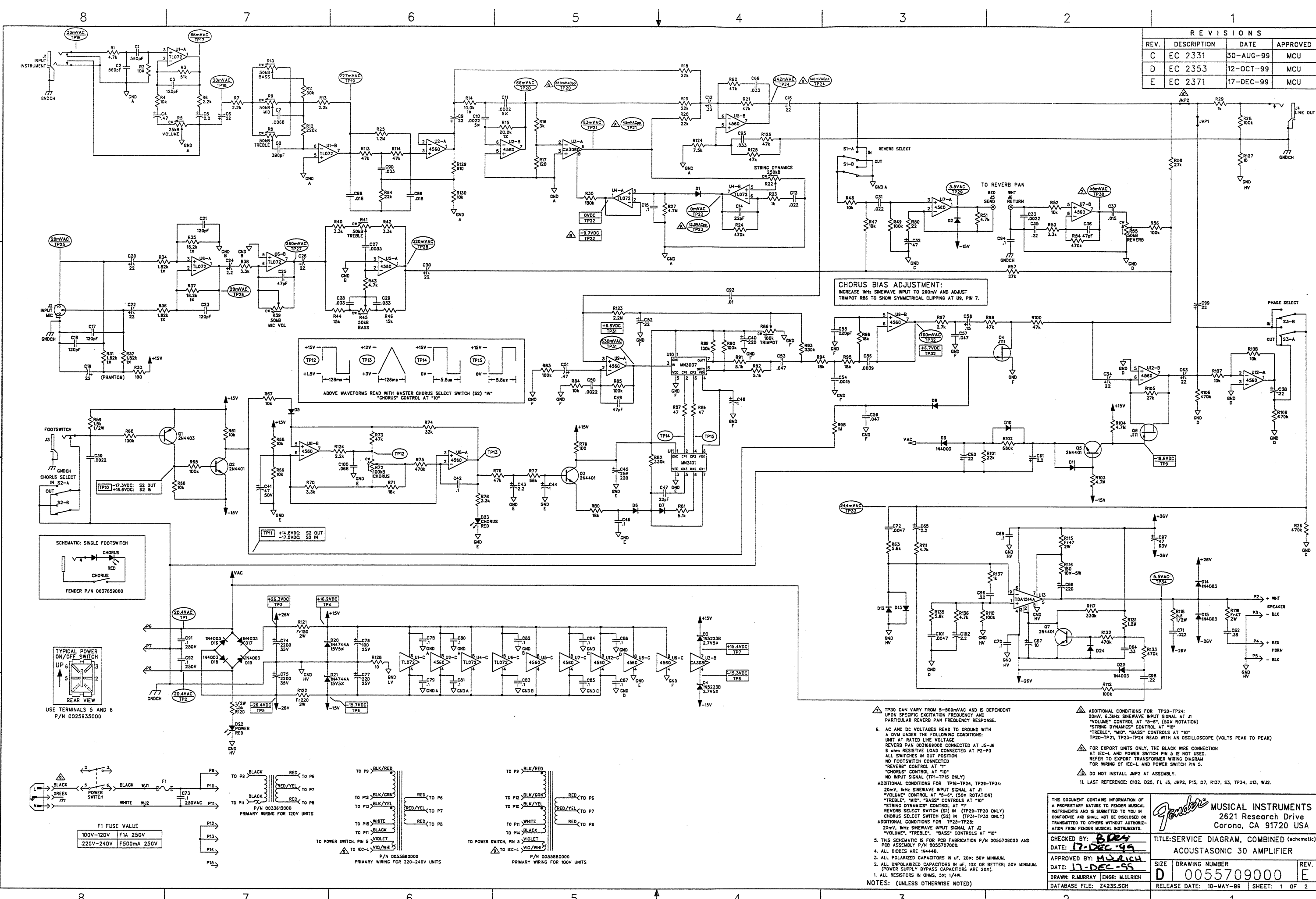
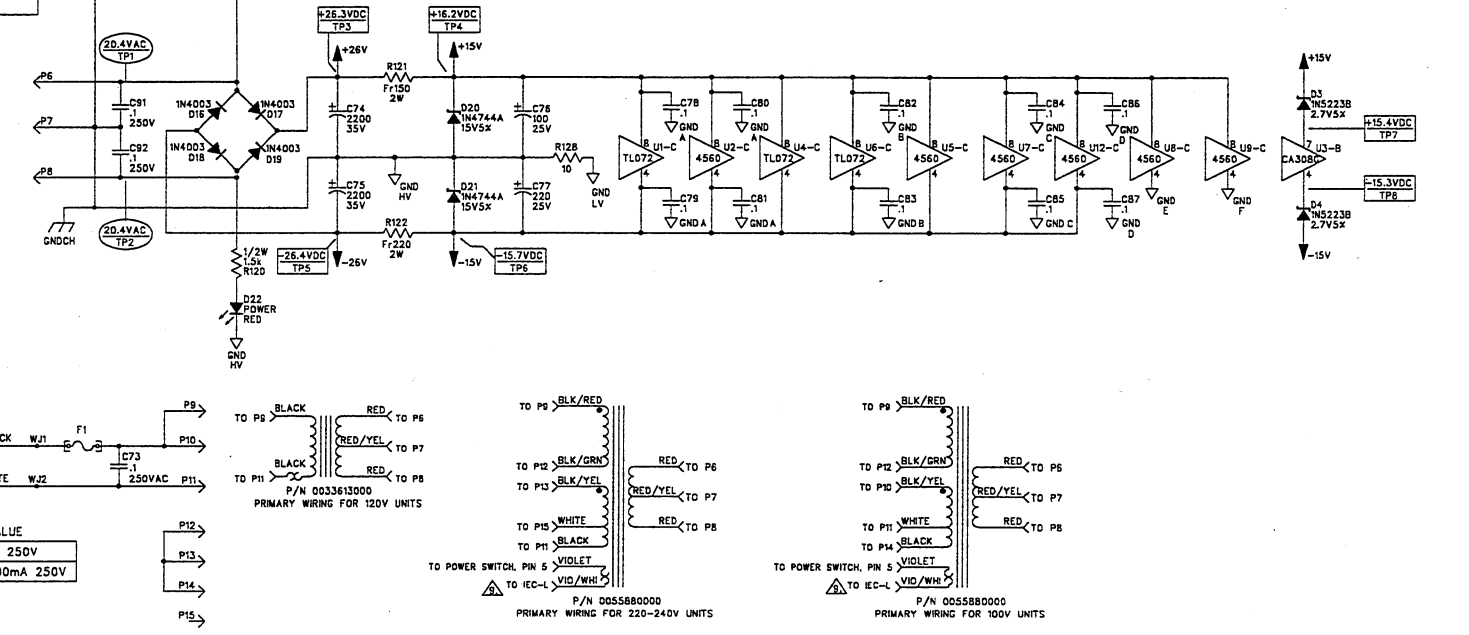
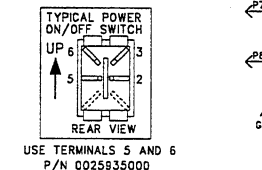
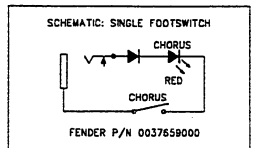


REVISIONS			
REV.	DESCRIPTION	DATE	APPROVED
C	EC 2331	30-AUG-99	MCU
D	EC 2353	12-OCT-99	MCU
E	EC 2371	17-DEC-99	MCU



CHORUS BIAS ADJUSTMENT:
INCREASE 1kHz SINEWAVE INPUT TO 200mV AND ADJUST
TRIMPOT R86 TO SHOW SYMMETRICAL CLIPPING AT U8, PIN 7.



F1 FUSE VALUE
100V-120V F1A 250V
220V-240V F500mA 250V

TP30 CAN VARY FROM 5-500mVAC AND IS DEPENDENT UPON SPECIFIC EXCITATION FREQUENCY AND PARTICULAR REVERB PAN FREQUENCY RESPONSE.

6. AC AND DC VOLTAGES READ TO GROUND WITH A DVM UNDER THE FOLLOWING CONDITIONS:
UNIT AT RATED LINE VOLTAGE
REVERB PAN 0031669000 CONNECTED AT J5-J6
8 ohm RESISTIVE LOAD CONNECTED AT P2-P3
ALL SWITCHES IN OUT POSITION
NO FOOTSWITCH CONNECTED
"REVERB" CONTROL AT "0"
"CHORUS" CONTROL AT "0"
NO INPUT SIGNAL (TP1-TP15 ONLY)

ADDITIONAL CONDITIONS FOR TP16-TP24, TP28-TP34:
20mV, 1kHz SINEWAVE INPUT SIGNAL AT J1
"VOLUME" CONTROL AT "5-6" (50X ROTATION)
"TREBLE", "MID", "BASS" CONTROLS AT "10"
"STRING DYNAMICS" CONTROL AT "10"
REVERB SELECT SWITCH (S1) IN (TP23-TP30 ONLY)
CHORUS SELECT SWITCH (S2) IN (TP31-TP32 ONLY)

ADDITIONAL CONDITIONS FOR TP25-TP28:
20mV, 1kHz SINEWAVE INPUT SIGNAL AT J2
"VOLUME", "TREBLE", "BASS" CONTROLS AT "10"

5. THIS SCHEMATIC IS FOR PCB FABRICATION P/N 0055708000 AND PCB ASSEMBLY P/N 0055707000.

4. ALL DIODES ARE 1N4448.

3. ALL POLARIZED CAPACITORS IN uF, 20% 50V MINIMUM. (POWER SUPPLY BYPASS CAPACITORS ARE 20X).

1. ALL RESISTORS IN OHMS, 5% 1/4W.

NOTES: (UNLESS OTHERWISE NOTED)

ADDITIONAL CONDITIONS FOR TP20-TP24:
20mV, 6.3kHz SINEWAVE INPUT SIGNAL AT J1
"VOLUME" CONTROL AT "5-6" (50X ROTATION)
"TREBLE", "MID", "BASS" CONTROLS AT "10"
"STRING DYNAMICS" CONTROL AT "10"
REVERB SELECT SWITCH (S1) IN (TP23-TP30 ONLY)
CHORUS SELECT SWITCH (S2) IN (TP31-TP32 ONLY)

FOR EXPORT UNITS ONLY, THE BLACK WIRE CONNECTION AT IEC-L AND POWER SWITCH PIN 5 IS NOT USED. REFER TO EXPORT TRANSFORMER WIRING DIAGRAM FOR WIRING OF IEC-L AND POWER SWITCH PIN 5.

DO NOT INSTALL JMP2 AT ASSEMBLY.

1. LAST REFERENCE: C102, D25, F1, JE, JMP2, P15, Q7, R137, S3, TP34, U13, WJ2.

THIS DOCUMENT CONTAINS INFORMATION OF A PROPRIETARY NATURE TO FENDER MUSICAL INSTRUMENTS AND IS SUBMITTED TO YOU IN CONFIDENCE AND SHALL NOT BE DISCLOSED OR TRANSMITTED TO OTHERS WITHOUT AUTHORIZATION FROM FENDER MUSICAL INSTRUMENTS.

Fender MUSICAL INSTRUMENTS
2621 Research Drive
Corona, CA 91720 USA

CHECKED BY: *B. Deas*
DATE: 17-DEC-99
APPROVED BY: *M. Ulrich*
DATE: 17-DEC-99
DRAWN: R. MURRAY ENGR: M. ULRICH
DATABASE FILE: 24235.SCH

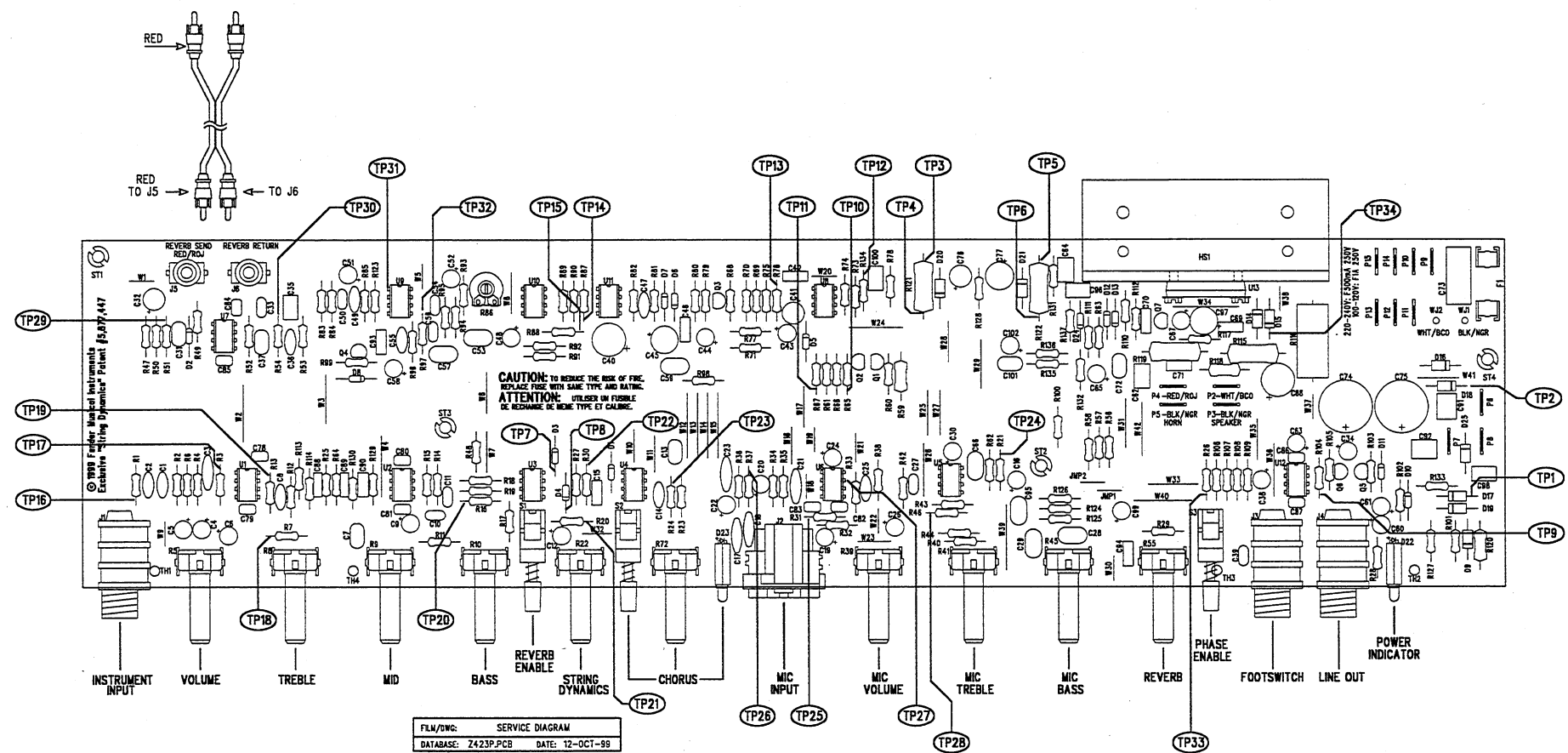
TITLE: SERVICE DIAGRAM, COMBINED (schematic)
ACOUSTASONIC 30 AMPLIFIER

SIZE: DRAWING NUMBER
D 0055709000
REV. **E**

RELEASE DATE: 10-MAY-99 SHEET: 1 OF 2

REVISIONS			
REV.	DESCRIPTION	DATE	APPROVED
A	PR 423	10-MAY-99	MCU
B	EC 2319	02-AUG-99	MCU
C	EC 2331	30-AUG-99	MCU
D	EC 2353	12-OCT-99	MCU
E	EC 2371	17-DEC-99	MCU

CONNECT TO REVERB PAN P/N 0031669000
TO REVERB PAN "IN" TO REVERB PAN "OUT"



FLM/DWG: SERVICE DIAGRAM
DATABASE: Z423P.PCB DATE: 12-OCT-99

THIS DOCUMENT CONTAINS INFORMATION OF A PROPRIETARY NATURE TO FENDER MUSICAL INSTRUMENTS AND IS SUBMITTED TO YOU IN CONFIDENCE AND SHALL NOT BE DISCLOSED OR TRANSMITTED TO OTHERS WITHOUT AUTHORIZATION FROM FENDER MUSICAL INSTRUMENTS.

CHECKED BY: *BLen*
DATE: *17-DEC-99*

APPROVED BY: *MJL*
DATE: *17-DEC-99*

DRAWN: RMURRAY ENGR: MJL
DATABASE FILE: Z423P.PCB

Fender MUSICAL INSTRUMENTS
2621 Research Drive
Corona, CA 91720 USA

TITLE: SERVICE DIAGRAM, COMBINED (PCB assy)
ACOUSTASONIC 30 AMPLIFIER

SIZE: **D** DRAWING NUMBER: **0055709000**

RELEASE DATE: 10-MAY-99 SHEET 2 OF 2

1. SEE SHEET 1 FOR PRIMARY WIRING, SWITCH DETAIL, TEST CONDITIONS, TEST POINT VALUES AND CHORUS BIASING PROCEDURE.

NOTES: (UNLESS OTHERWISE NOTED)